

PC-912G

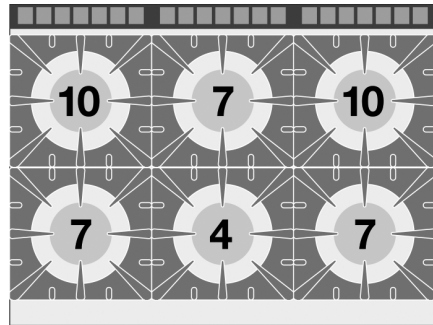
90

GAS BOILING UNIT

Gas heated boiling unit on open cabinet - 6 burners (included 1 Head end filler strip mod.TPC-9)



Construction - Fabricated using CrNi 18/10 AISI 304 grade Stainless Steel Scotch-Brite Satin polish Finish, incorporating 2mm thick worktop, rounded edges, chromed details and rear splash back. Knobs with waterproof grades IPX5. Model - Professional Gas Boiling Hob on open cabinet. Burners with pilot light ignition and thermocouple safety valve. Modulating flame burners, cast iron grills or in stainless steel rods, removable liquid collectors. Maintenance - All serviceable parts are accessible by the easy removal of front control panel and liquid collectors. Fittings - Appliance is supplied with both LPG and Natural Gas conversion jets and adjustable feet. Doors not included.



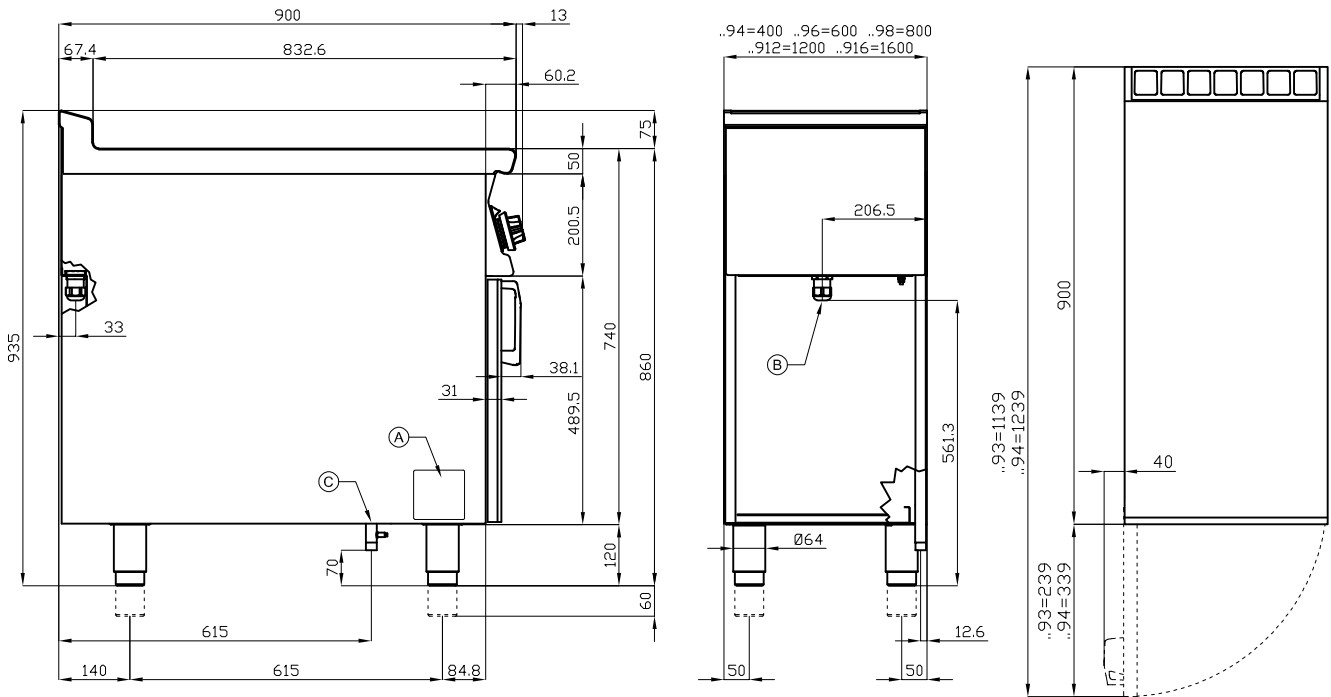
ITALIAN CULINARY ART

The pictures are purely representative. The manufacturer reserves the right to modify the technical data and models without previous notice.

PC-912G

90

GAS BOILING UNIT



A	Data plate	C	Gas connection	ISO 7-1 3/4" M
---	------------	---	----------------	----------------

MODEL: PC-912G
 DIMENSIONS: cm. 120x 90x 90h
 GAS POWER: 45 kW / 38.700 kcal/h
 GAS TYPE: Natural Gas / LPG



kg: 142
 m³: 1.324
 mm: 1230x970x1110

BUY LOTUS BUY ITALY

The pictures are purely representative. The manufacturer reserves the right to modify the technical data and models without previous notice.



LOTUS S.P.A. Via Calmaor, 46
 31020 San Vendemiano(TV) - Italy
 Tel. + 39 0438 778020 / 778468
 Fax + 39 0438 778277
 www.lotuscookers.it - lotus@lotuscookers.it